

Could these items be put on May 9 agenda???

1. Four cameras at the City Pool to help prevent vandalism to the pool and playground.
2. This is an estimate to get the roof on the shop building at the Ballpark repaired. We are also in the process of getting estimates to build a "pole barn" type building next to the existing shop to store equipment under and to free up space in existing building to be able to work on things.
3. This quote is to replace the wood stalls and partitions in the men's & women's restrooms at the city pool with the solid plastic stalls & partitions that are guaranteed for 15 years plus. They wont rust or mold & mildew, like the wooden ones. We have cleaned and bleached the existing stalls and the mold just keeps coming back, and the doors are warped.

Thank you,

Kim Keenan

*

Next Council Mtg
*

Order # 9280384A		Invoice Date 04/27/17	Page 1
Bill To Britton Quintrell Blue Ridge Surveillance Po Box 645 Mc Caysville, GA 30555		Ship To Britton Quintrell 109 Blue Ridge Drive Mc Caysville, GA 30555	
Customer No. 8172875	Sales I.D. 577/577	Reference # City Pool	Source 1C /RET
Ordered By		Warehouse	Terms QUOTATION
		Phone Number (706) 455-8061	Total Wt. 0.0 Lbs
			Zone 0
			Pkg 0
			Ship Via CAN

Qty	B/O	Ship	Item #	Description	Un. Price	Ds	Amount
1			ALI-NVR330 4P1TB	4CH NVR, 4 Port PoE, 25Mbps, 1U with 1TBHDD	299.99	--	299.99
4			ALI-NS1014 VR	4MP IP 65ft IR WDR Dome Camera 4mm	179.99	--	719.96
1			LIGO-DLBEC HO5	Ligowave 15dBi Access Point and CPE, 30 Degree Beam	90.11	--	90.11
1			LIGO-DLBEC HOB	Bracket Sold Seperate Ligowave DLBECHO5 Mounting Bracket	13.67	--	13.67
1			LIGO-DLB59 0	Ligowave 90 Degree 18dBi Base Station	117.59	--	117.59
1			DES-1008PA	8-Port Fast Ethernet Unmanaged Metal Desktop Switch	56.34	--	56.34
1			CAB-CAT5-1 000E	w/ 4 PoE Ports, 10/100 1000Foot CAT5 24AWG Cable CCA	67.90	--	67.90

MERCHANDISE INVOICE TOTAL \$ 1365.56
 INVOICE TOTAL \$ 1365.56

Labor 500.00
1,865.56

4 Cameras at City Pool



Ronnie Dillard 770-851-2052
 Dillardscontracting@gmail.com

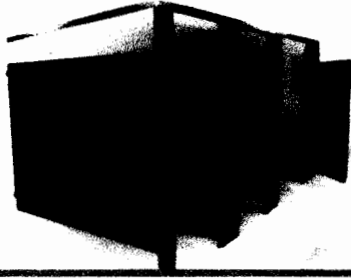
To: City of Blue Ridge

ESTIMATE FOR NEW 24x60 EQUIPMENT BUILDING AND REPAIRS

INSURANCE COMPANY	JOB NAME	PAYMENT TERMS	DATE
	City Park	Due on receipt	04/18/17

QTY	DESCRIPTION	COST EACH	TOTAL COST
1	2x4 WALLS 10 FT. TALL		
2	4 BAY GARAGE		
3	2 GARAGE FLOORS GRAVEL AND 2 CONCRETE		
4	2 GARAGE BAYS COMPLETELY ENCLOSED WITH GARAGE DOORS		
5	REST OF BUILDING ENCLOSED W/ VINYL ON SIDES AND BACK W/ FRONT OPEN		
6	METAL ROOF		
7	WIRED FOR ELECTRICITY WITH LIGHTS AND OUTLETS		
	TOTAL COST ----		\$64,800.00
	<i>To build a new shop to store equipment & misc</i>		
	TAKE METAL OFF EXISTING BUILDING AND REPLACE ALL ROTTEN WOOD AND CARNICE, ALSO ADDING DRIP EDGE AND PROPER HANGOVER TO PREVENT WATER PROBLEM.	OLD Shop ROOF	\$3,800.00
		SUBTOTAL	\$68,600.00
		TOTAL	\$68,600.00

THANK YOU FOR YOUR BUSINESS



ONE POINT

PARTITIONS

(800) 756-6817

Restroom Partition Quote # 171793.3

Qty: 4 Restroom Stalls w/ Doors, Floor Mounted/Overhead Braced, Std. Hardware
Qty: 1 Urinal Screen 24" x 48", Wall Hung, Std. Hardware

Solid Plastic : \$3500.00



MADE IN THE USA
We won't be undersold by import partitions, Contact us for details.

Based on drawings #171793.2 dated 4/26/17

Quote date: 5/9/17

INCLUDES: Material, Hardware & Shipping

Leadtime: **DELIVERED ONSITE** for Colors listed on our website 5-6 **Business Days**

Colors: Click Chart on right for color options



Click here for the order form:

Order Form

Your Partition Expert:

Andy Hughes

andyh@oppsales.com

www.onepointpartitions.com

Direct Line: 615-823-1668

Fax #: 615-537-0487

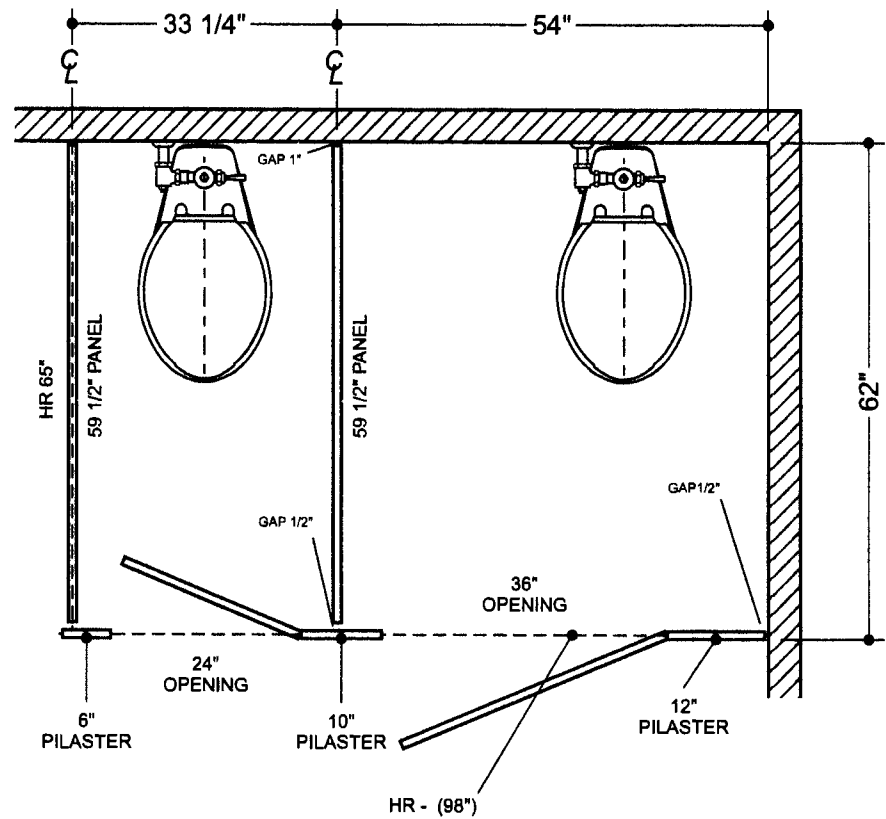
Customer Info

Name: Kim Keenan

Ship Zip: 30513

The fine print:

Quote is valid for **30 days**. Returns and cancellations after manufacturing has started will not be re-funded due to the custom nature of the product and cost of shipping. By submitting any form of payment you agree to have confirmed final drawing dimensions sent by One Point. One Point cannot be responsible for incorrect order measurements, improper installation, or damage after partitions have been received. Bracing and blocking is to be provided by others. Manufacturing and ship times are estimates and may vary. Any product warranties are those of their manufacturer and do not transfer to the buyer. Partitions will be shipped via LTL semi truck freight. Any damage or missing material must be noted on delivery ticket to be covered. Any additional freight services, such as inside delivery and re-delivery, are not included unless specially included in the quote. Thank you!

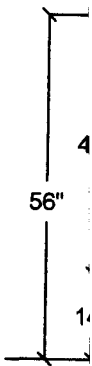
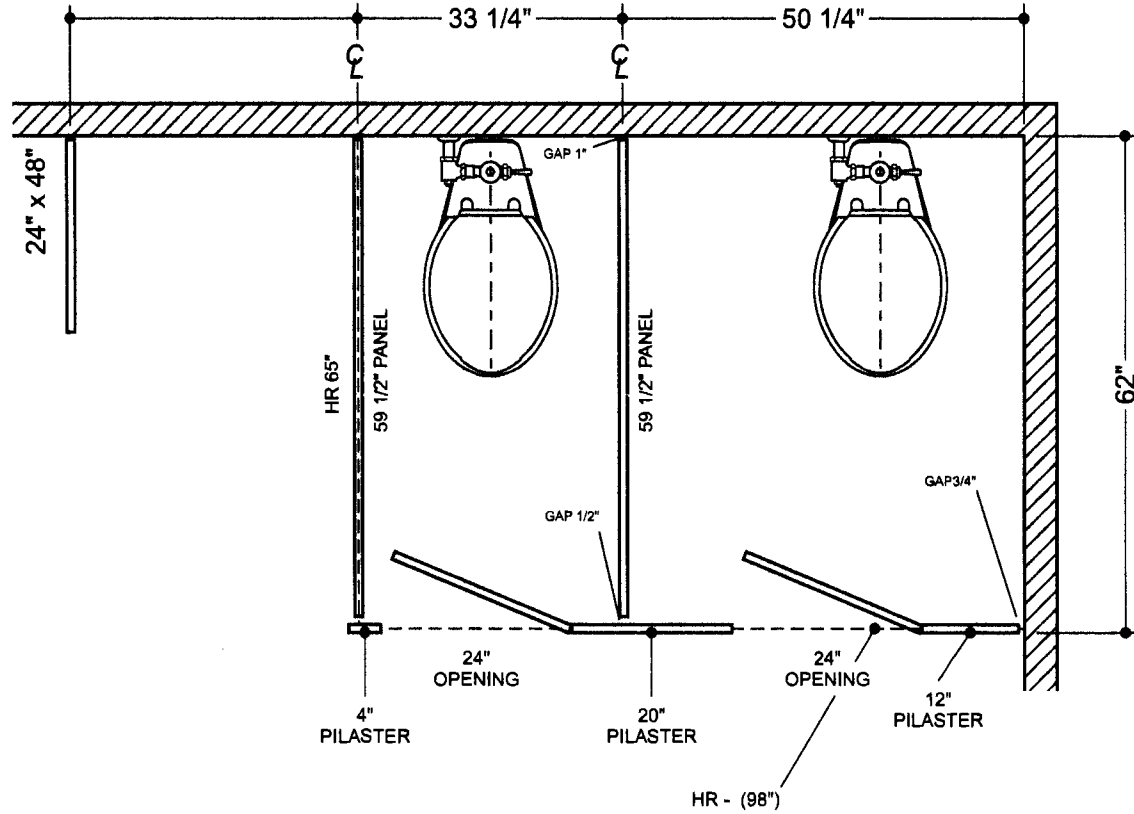


- Consult with your local officials for ADA and plumbing code compliancy, Each locality differs in interpretation and enforcement of guidelines and codes.
- If Elevation Drawings are needed please email us your request.
- HR (Head Rail) attaches to top of Pilasters and to adjacent walls at 81" from floor.
- HR size shown refers to length of Head Rail. HR is cut on jobsite to size needed.
- Overall Depth shown is from Back Wall to Face of Partition.
- Doors are cut 3/8" less than listed Door Opening for hardware.

Layouts: Women's
 Room Qty: 1 THUS
 Style: Overhead Braced
 Material: Solid Plastic
 Color: TBD

ONE POINT
PARTITIONS

800.756.6817- Toll Free (ask for Andy)
615.823.1668 - Direct line
 andyh@oppsales.com 615.261.1433 (fax)



- Consult with your local officials for ADA and plumbing code compliancy, Each locality differs in interpretation and enforcement of guidelines and codes.
- If Elevation Drawings are needed please email us your request.
- HR (Head Rail) attaches to top of Pilasters and to adjacent walls at 81" from floor.
- HR size shown refers to length of Head Rail. HR is cut on jobsite to size needed.
- Overall Depth shown is from Back Wall to Face of Partition.
- Doors are cut 3/8" less than listed Door Opening for hardware.

Layouts: Men's
 Room Qty: 1 THUS
 Style: Overhead Braced
 Material: Solid Plastic
 Color: TBD

ONE POINT
PARTITIONS

800.756.6817- Toll Free (ask for Andy)
615.823.1668 - Direct line
 andyh@oppsales.com 615.261.1433 (fax)

A TYPICAL FLOOR ANCHORED OVERHEAD BRACED ELEVATION

Solid Plastic (HDPE)

